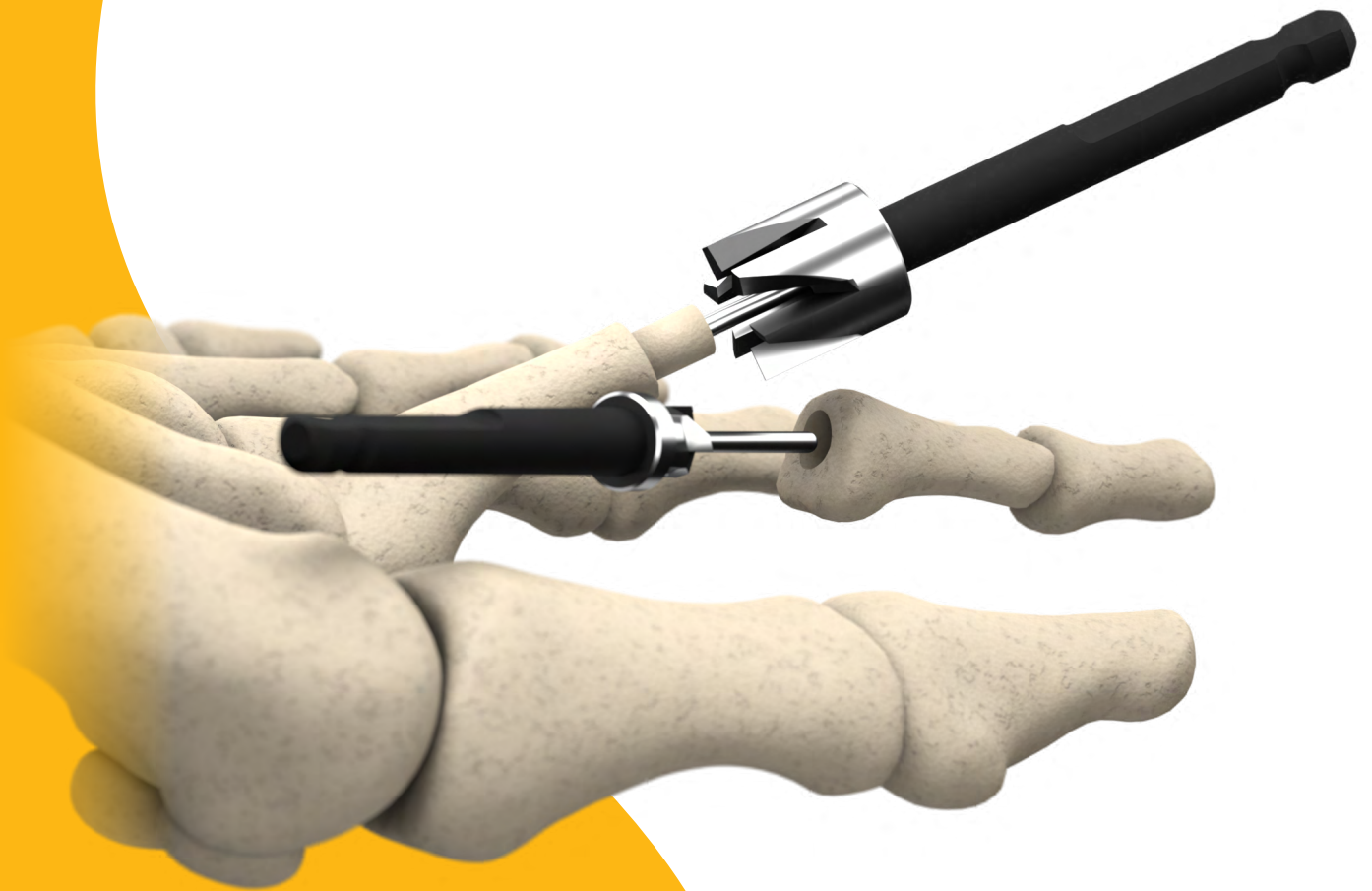


FUZERIGHT

PEG & HOLE REAMERS



A TRADEMARK OF
Fusion
ORTHOPEDICS

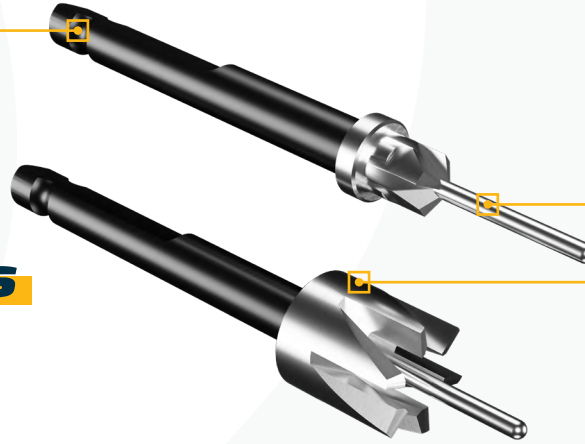
SYSTEM INFO

Strong & Reliable

Quick connect for easy attachment

Wire Guided Reaming

Ensures stability while reaming



One size cup and cone reamer system

Works for All Lesser Toes

System Advantages

Average procedure ranging from only 5-15 minutes

Stable construct without an implant

Less pain in all stages of healing, means happy patients

FAQS

What fusion percentages do you have over the last 15 years?

We estimate a 91-97% fusion rate.

Can FuzeRight be used for revisions?

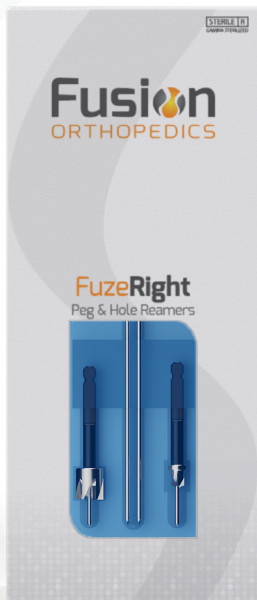
In the remaining (symptomatic) fibrous non-unions, the FuzeRight system can usually be used to effectively revise the fusion following initial debridement.

Can you use it on a patient with osteoporosis or low quality bone stock?

Yes. The peg and hole construct increases stability and bone on bone contact resulting in a higher fusion rates.

How does it compare to a flat cut arthroplasty?

A flat cut has reduced stability relative to a stable peg and hole construct. Therefore, our FuzeRight Peg & Hole Reamer system reduces potential of, chronic swelling, malalignment, gapping, and non-unions.



Sterile Packed Kit

- 1 Peg Reamer
- 1 Hole Reamer
- 2 K-Wires

FUSION ORTHOPEDICS USA, LLC.

6859 E Rembrandt Ave #122
Mesa, Arizona 85212 USA
(800)-403-6876

Fusion
ORTHOPEDICS

FDA Cleared.

All Rights Reserved.
FuzeRight is a Trademark
of Fusion Orthopedics USA, LLC.
SLS014 10032023